



50 YEARS IN TECHNOLOGY INNOVATION

## MULTIPLE RF LIGHTNING PROTECTION

Rover RF  
LIGHTNING  
PROTECTION

mod. **RLP-XX**



### LIGHTNING PROTECTION PANEL FOR UP TO 12 L-BAND SIGNALS FEEDS

1 U 19" RACK MOUNTABLE PANEL

"F" 75  $\Omega$  INPUT AND OUTPUT

HIGH TEMPERATURE RANGE

DC VOLTAGE TRANSITE FOR LNB POWER SUPPLYING

HIGH INGRESS PROTECTION RATING

EASY EXCHANGEABLE SURGE SUPPRESSORS

**ADVANCED  
TECHNOLOGY**

FOR PROFESSIONAL CABLE  
& BROADBAND NETWORKS

CE DVB



1972 > 2022 >>

50 YEARS OF TECHNOLOGY INNOVATION

## TECHNICAL SPECIFICATIONS

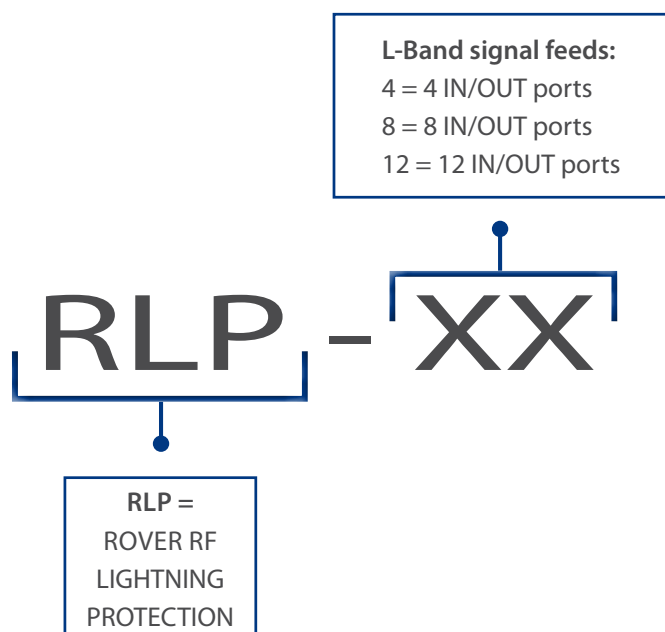
### RF Specifications

- *Frequency range:* 5-3000 MHz
- *Number of input/output ports (xx):* up to 12
- *Impedance, connectors:* "F" 75 Ohm
- *Return loss:* > 14 dB, typ. 16 dB
- *Insertion loss:* < 0.3 dB
- *CW power:* < 60 W
- *Discharge current:* 500 x 100 A (10/1.000  $\mu$ s)  
1 x 20 kA; 10 x 15 kA (8/20  $\mu$ s)
- *Mating face:* acc. IEC 61169-24
- *Mating cycles:* > 500

### General Specifications

- *Grounding bolt:* thread M6 x 25 mm
- *Size:* width: 19"  
height: 1 RU  
depth: 80 mm
- *Weight:*  $\pm$  4 Kg
- *Operating temperature:* from - 40° to 100 °C
- *Ingress protection rating:* IP65 (IEC 60529) Telecom compliant

## ORDERING CODE DEFINITION



Product  
made in Italy by  
Rover Broadcast.com

V. 4 28-10-20

CERTIFICATES N°  
1263 ISO 9001  
1264 ISO 14001  
1265 ISO 45001



Specifications and features are subject to change without notice.

RO.VE.R. Laboratories S.p.A.  
Via Parini, 2 - 25019 Sirmione (BS) Italy  
info@roverinstruments.com • www.roverbroadcast.com